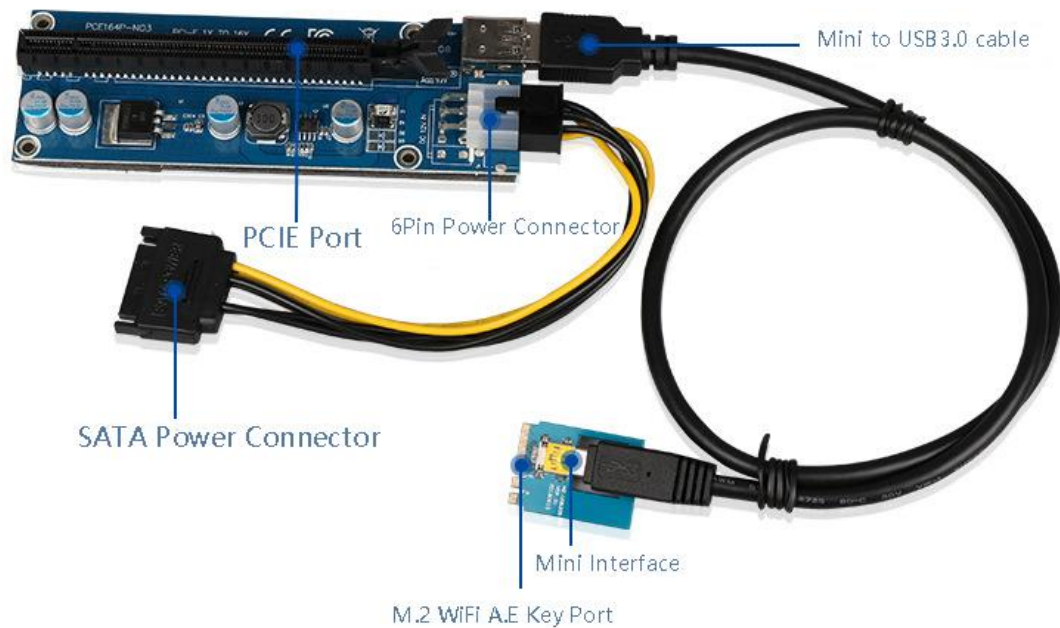


ETH GPU Mining 0.6m USB3.0 PCI-E 1x To16x Extender Riser Card Adapter Extension Power Cable

Brand: Elecbee

Product Code: EB-029-0074





Product Usage:

The current computer 16x slot is not enough, this cable can be used to convert the NGFF PCI-E slot into a 16X slot to insert a graphics card.

When plugging the wire, be sure to recognize the direction, do not plug it backwards or in a wrong position, to prevent the equipment from being burned. When plugging in the wire, first hold the socket of the equipment before plugging in the wire, so as to avoid inserting the pins of the socket with excessive force.

When MINI PCI-E is transferred to 16X, only 1X signal is used, some devices may not recognize it, please be aware.

Q: What is this device used for?

A: Through this device, the laptop can be connected to a desktop discrete graphics card, such as GTX750, GTX960, HD7750 and other graphics cards. (PS: The graphics card is not included in the package, and the graphics card needs to be purchased separately according to your needs), which greatly improves the game performance of the notebook. It can also be used for video processing and CUDA operations.

Q: Which laptops can be used?

A: There are many notebooks that can be used. Currently, the interfaces we support include Mini PCI-E, NGFF (M.2 A/E key), Expresscard, and M.2 M key. Generally, notebooks with the above interfaces can use external graphics cards (PS: due to the compatibility issues caused by

individual differences in notebooks and your basic computer knowledge, we cannot guarantee that you can succeed 100%) Except for the Expresscard interface, which is a card installation, other interfaces are required. Disassemble and install. (USB, HDMI, SD card reader, VGA, PCMCIA, MSATA, optical drive interface, etc. are not allowed to use external graphics cards with our equipment.)

Q: How to choose the graphics card?

A: The bandwidth of the notebook limits the performance of the external graphics card (except for the M.2 M key interface). Generally, the internal screen (using a notebook monitor) plays about 60%, and the external screen (connecting a monitor to an external graphics card) plays about 80%. It is recommended that you choose a graphics card with a higher level that meets your game requirements. (For example: your game requirements are GTX750, then it is recommended to buy GTX760.) It is recommended to use graphics cards of mainstream brands such as ASUS, Gigabyte, MSI, GALAXY and Colorful, which are more compatible. If you use a second-hand graphics card, remember to test it on the desktop before installing it. Notebook external graphics cards are different from desktop computers, and their compatibility is not as good as desktop computers. Second-hand graphics cards should be carefully considered.

Q: How to upgrade BIOS?

A: Each notebook is different, and the upgrade method is slightly different. Generally, you can go to the notebook's official website and find the latest BIOS in the driver download page. After downloading, follow the prompts to run the program step by step and continue. Generally, there will be tutorials and precautions on the download page that can be read carefully. (PS: To upgrade the BIOS, the laptop needs to be connected to the power supply, battery, and unplugged external devices.) If the official website is not available, please search on Baidu. BIOS upgrade is risky, please be careful with handicapped parties, and it is recommended to find a professional to upgrade.

Q: If you enter the BIOS and set the BIOS

A: Generally, when the laptop is powered on, there will be a prompt on how to enter the BIOS at the bottom of the screen. Generally press F1, F2 or DEL. If it doesn't work, I suggest Baidu search how to enter the BIOS of your laptop. The first principle of BIOS setting is to turn off the network boot and disable the built-in independent display.

Q: Where is the external monitor connected?

A: The external monitor is connected to the output end of the external graphics card. Generally, the graphics card has VGA, DVI, HDMI, DP and other output interfaces. (PS: Connecting an external monitor to the notebook output and linking the output of the graphics card to the output of the notebook are invalid)