

# SureCall Yagi Antenna (SC-530W)

Ultra Wide Band Yagi Outside Antenna



## Overview

Designed for maximum performance in rural areas, the SureCall Yagi Antenna is a directional outdoor antenna with a range of up to 30 miles for the most remote signal booster applications.

The ultra wide band outdoor antenna transmits and receives signal directionally and is designed to cover 2G/3G/4G/5G and WLAN systems for Cellular, PCS, AWS and LTE frequencies.

- » N-Female connector (50  $\Omega$ )
- » 7 / 8 / 9 dBi Max Gain
- » Wide band: 2G, 3G, 4G & 5G (617 - 2700 MHz)
- » Includes mounting hardware
- » Directional antenna needs to be pointed towards carrier's nearest cell tower



## Specifications

Frequency	617-697 / 698-960 / 1710-2700 MHz
Beamwidth	H:90° E:60° / H:90° E:60° / H:70° E:55°
Max Gain	7 / 8 / 9 dBi
VSWR	<2
Input Impedance	50 $\Omega$
Polarization Type	Vertical
Max Power	50W
Radiation Pattern	Directional
Connector Type	N-Female
Mount Type	Pole or Mast with 40 - 50 mm diameter
Dimensions	17.3 x 8 x 1.45 in (440 x 204 x 37 mm)
Weight	2.25 lbs (1021 g)
Cover Material	PC+ABS
Operating Temp.	-45°F to +108°F

## Installation

1. Install U-Bolt on pole.
2. Slide pipe clamp over U-Bolt with the flat side facing away from the pipe.
3. Slide antenna bracket onto U-Bolt in desired location.
4. Install flat washer, split washer and nut, and hand tighten.

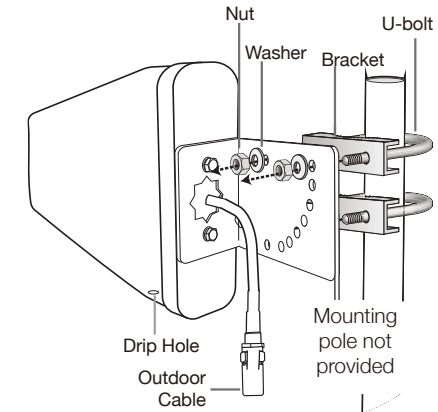
Note: Antenna may be installed on a variety of pipe angles. Ensure that the antenna is pointing in the direction of the closest cellular tower and is vertical with the drip hole at the bottom.

5. Connect antenna with SC-400 cable that leads to your booster port marked OUTSIDE.

Performing a "soft" installation and testing your cell signal performance at various Yagi antenna directions is recommended to derive maximum value from your signal booster.

**SIGNALBOOSTER**  
COM

CLICK HERE TO SEE PRICE  
& ORDER ONLINE



## Compatibility

Booster Compatibility: All SureCall 2G-5G home and industrial in-building signal boosters

Cable Compatibility: Low-loss coax cables with N Male on either end (SC-400, SC-240, etc.)

Accessory Compatibility: SureCall Couplers and Splitters