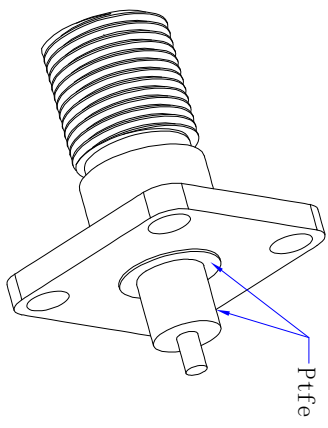
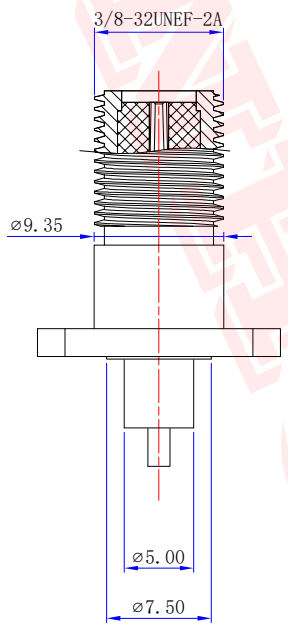
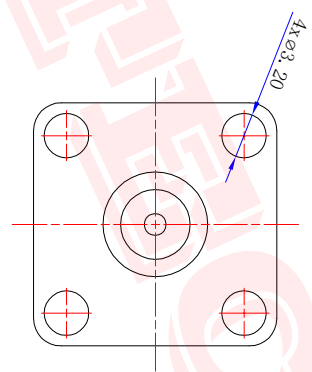
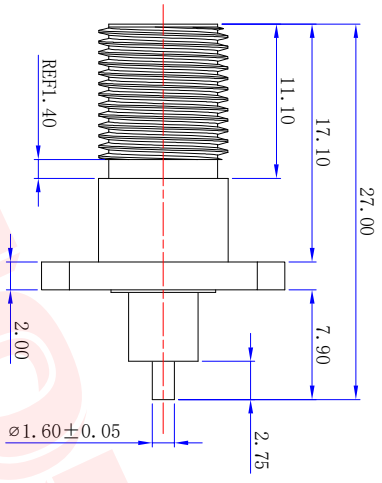
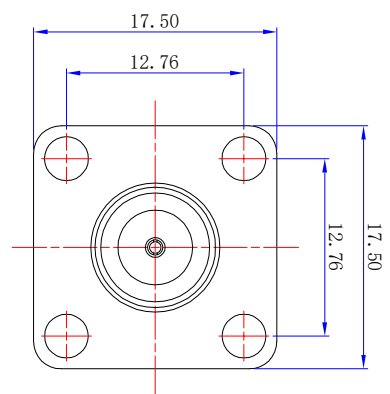




Product NO.		RHT-611-4001	
REV	DESCRIPTION	DWN	DATE
RL 0	First Issue	Gavin	2023/06/26
			APPROVEN
			JIM.KING



SPECIFICATIONS:
 Impedance: 75 Ohm
 Frequency Range: DC - 1 GHz
 Voltage Rating: 400 Volts RMS Continuous
 Working Voltage: 15 watts continuous
 Insulation Resistance: 1000 Mohms min
 Dielectric Withstanding Voltage: 1200 VRMS Max
 RF Leakage: -100 dB Max @ 1 GHz
 Temperature Range: -40°C TO +155°C

3	Center Pin	Brass	Gold plating	1
2	Insulator	Ptfe	None	2
1	Body	Brass	Nickel plated	1
NO	DESCRIPTION	MATERIAL	FINISH	QTY
1	1	2	3	4

-TOLERANCES-
UNLESS OTHERWISE
SPECIFIED

UNLESS OTHERWISE SPECIFIED
TOLERANCES FOR MILLIMETERS ARE:
0.5 - 8mm ± 0.25mm
8 - 30mm ± 0.25mm
30 - 120mm ± 0.30mm

仁昊伟业
RENHOTEC

RENHOTEC GROUP

PART DESCRIPTION:
F JACK 4 HOLE FLANGE INSTALLATION

Appd:	JIM.KING	P/N:	RHT-611-4001
Check:		Date	2023.06.26
Draw:	Gavin	Scale	Free
		Unit	MM
		Type	Z
		Page	1/2