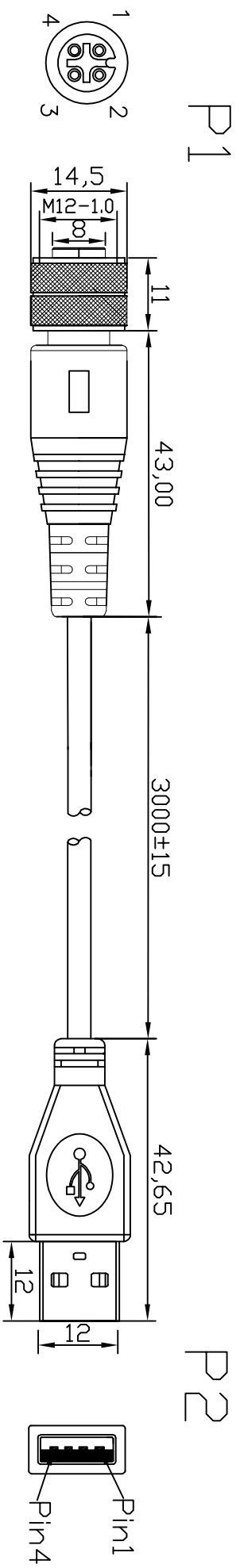
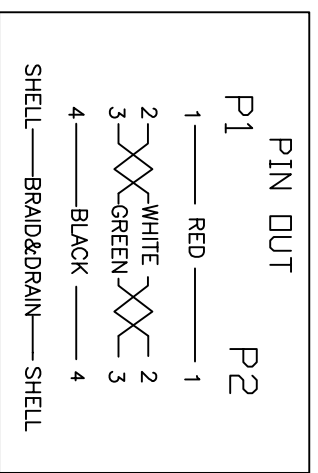


REV	DESCRIPTION	DWN	DATE	APPROVEN
A	First Issue	Mr. CHEN	2019/06/23	John Kine
B				



M12-4Pin FEMALE W

USB AM 4Pin Male




Bill of materials:

NO	PARTS	DESCRIBE	QTY
4	Cable	UL2725 28AWG*1P+24AWG*2C+AL CABLE COLDR: BLACK Jacket DD:4.50	
3	Molding	PVC 45P Colocr: Black	
2	Connector2	M12 A CODE 4Pin Female	1
1	Connector1	USB 2.0 A type Male	1
ND	PARTS	DESCRIBE	QTY


  
**Buy From Original Factory**
  
 www.elecbber.com

- NOTE:
1. ALL materials be must ROSH
  2. Electrical Testing:
    - a. OPEN / SHORT: 100% Testing
    - b. Insulation Resistance: DC300V 10MΩ(MIN)
    - c. Contact Resistamce: 1Ω(MAX)

NOTE:		Tolerance	View	SCALE	DATE	CAD FILE	SHEET: 1 OF 1
DRAWN	Zelin. CHEN	X. ±0.15 X.X ±0.10 X.XX ±0.05 Angular ±5°		1:1	Date		
CHECKED					Time		
APPROVALS	<i>John Kine</i>				2023/04/28		

A B C D E F G