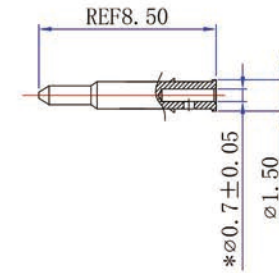
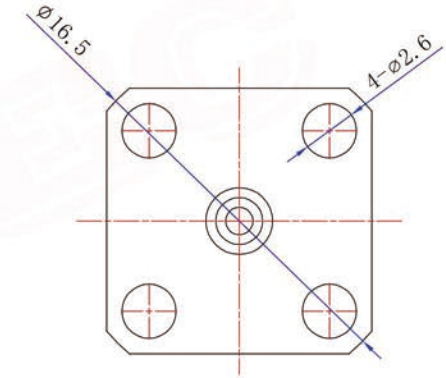
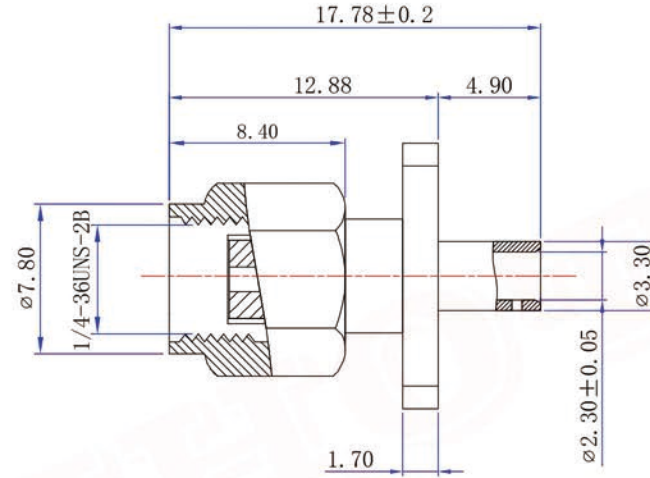
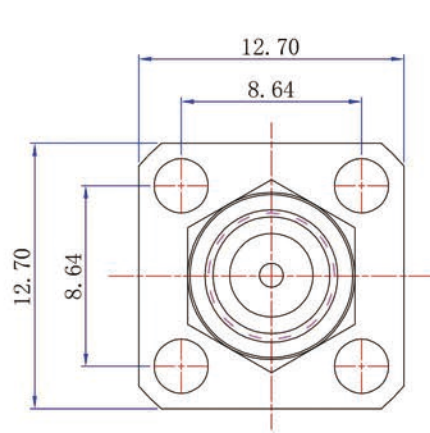




Product NO.

ISSUE	DESCRIPTION	DWN	DATE	APPROVEN
R1.0	First issue	Gavin	2023/09/03	JIM.KING



Specifications:

IMPEDANCE: 50 Ohms
 Frequency range:12GHZ
 VSWR:1.5 MAX
 Working voltage:335V rms @ sea level
 Insulation resistance:5000 MOhms min
 Temperature range:-55°C TO +155°C

NO	DESCRIPTION	MATERIAL	FINISH	QTY
3	Center contact	Beryllium Copper	Gold Plating	1
2	Insulator	Ptfe	Nature	1
1	Body	Brass	Gold Plating	1

-TOLERANCES-
UNLESS OTHERWISE
SPECIFIED

UNLESS OTHERWISE SPECIFIED
TOLERANCES FOR MILLIMETERS ARE:
 0.5 - 8mm ± 0.10mm
 8 - 30mm ± 0.15mm
 30 - 120mm ± 0.20mm



Buy From Original Factory
www.elecbee.com



PART DESCRIPTION:
SMA 4-HOLE FLANGE PLUG FOR RG405 CABLE

Appr: JIM.KING

P/N:

Check:

Date

Scale

Unit

Type

Page

Draw: Gavin

2023.09.03

Free

MM

Z

1/1